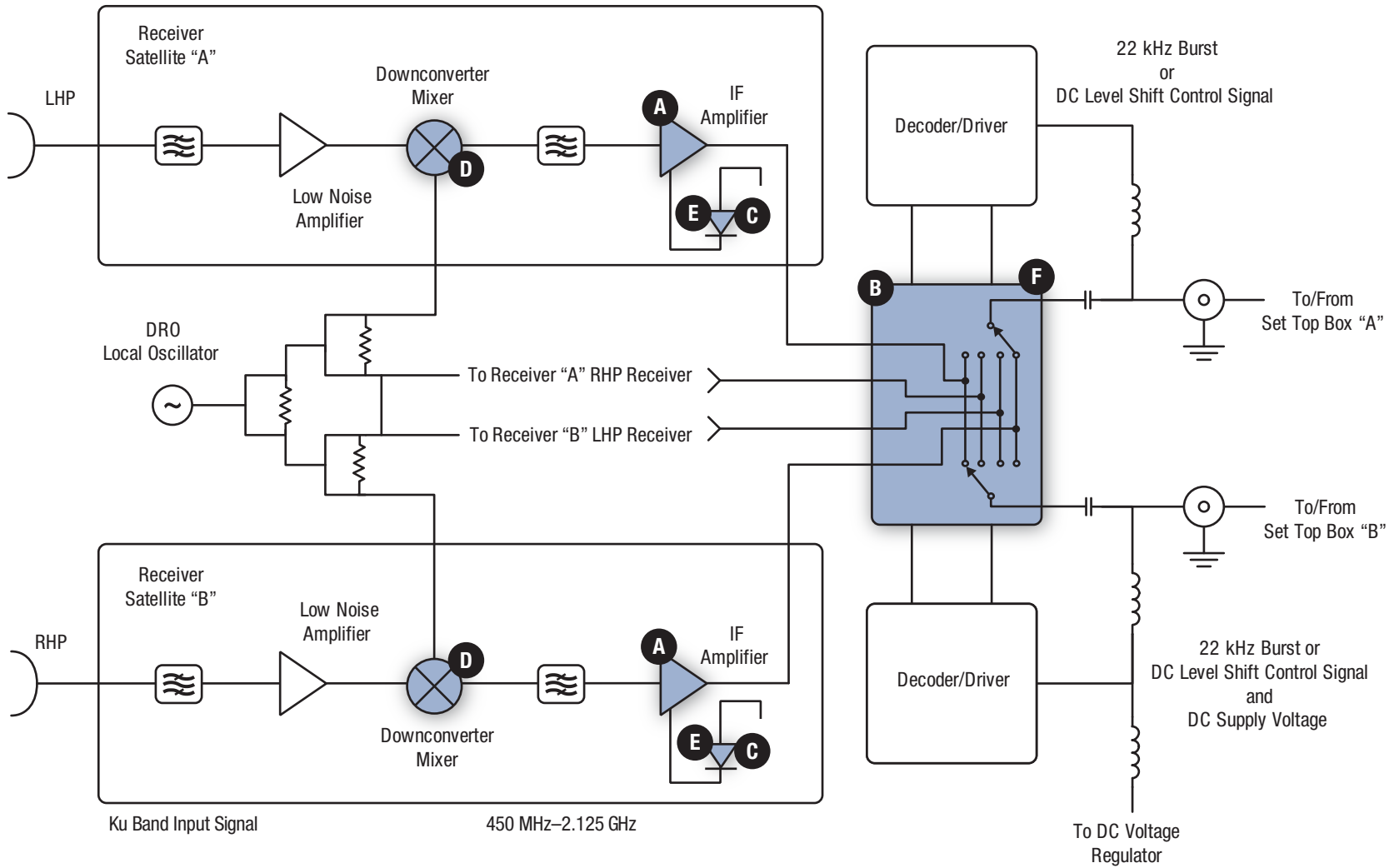


LNB

Part numbers link to product information



Amplifiers

- | | |
|------------------------|---------------|
| A SKY65013-70LF | SKY65015-70LF |
| SKY65013-92LF | SKY65015-92LF |
| SKY65014-70LF | SKY65016-70LF |
| SKY65014-92LF | SKY65016-92LF |
| | SKY65017-70LF |

Switches

- | |
|-------------------------|
| B SKY13272-340LF |
| SKY13264-340LF |
| SKY13292-365LF |
| SKY13293-340LF |
| SKY13327-365LF |
| SKY13369-365LF |

Schottky Diodes

- | |
|----------------------|
| D DMK2790-000 |
| DMK2308-000 |
| E SMS7621-060 |

PIN Diodes

- | |
|------------------------|
| F SMP1321-005LF |
| SMP1340-079LF |
| SMP1340-040LF |

- | |
|------------------------|
| C SMS7621-006LF |
|------------------------|